

Pneumatic tipping valves



Benefits

- Output pressure proportional to the position of the lever
- Spring centered or detent at one or at the both end positions
- Electric switches integrated to the handle
- Narrow construction – electric wire connected through the body
- Easy-to-connect additional electric switch modules and pneumatic valve modules available
- Several different handles available

Technical specifications

- Supply pressure range 2 ... 10 bar
- Ambient temperature -20 ... +80 °C
- Operating medium Compressed air, filtration 20 µm, no lubrication is needed
- Nominal flow 12 dm³/s
- Connection port size G1/8

Material specification

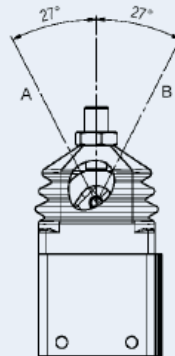
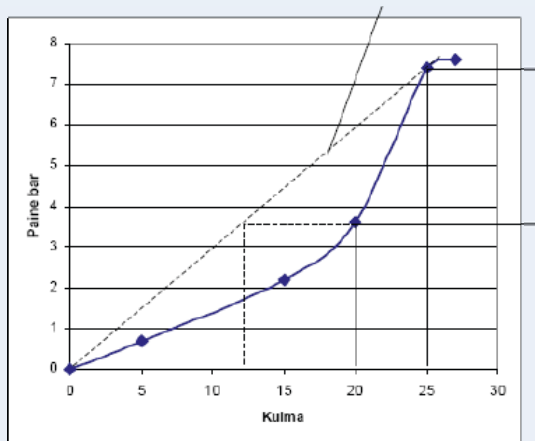
- Body Anodized aluminium
- Internal valve parts Brass
- Springs Stainless steel
- Seals NBR and PU
- Gaiter EPDM



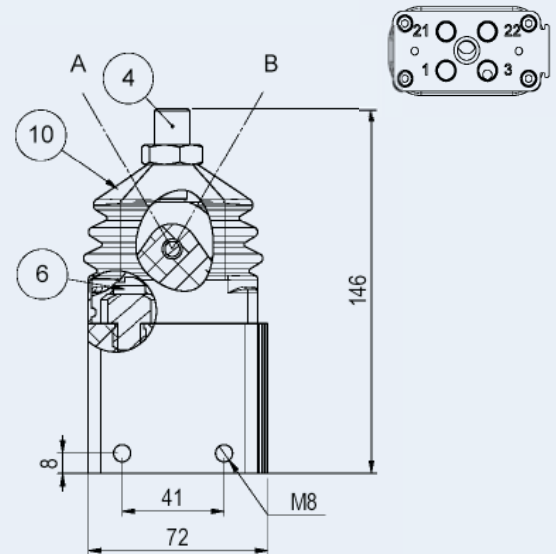
Mechanically operated valves
for controlling tipping hydraulics

Output pressure diagram

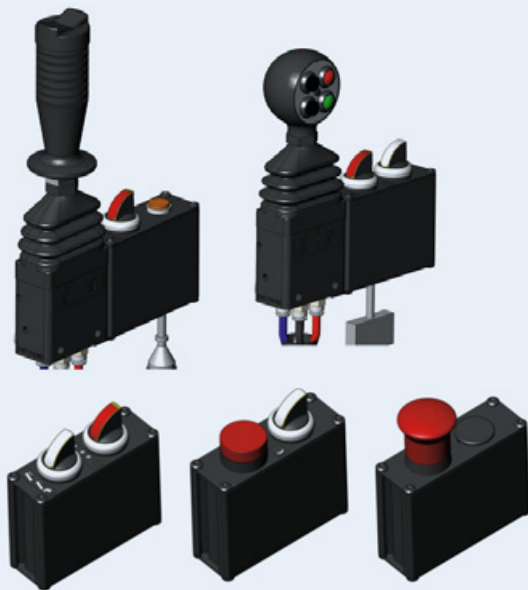
Output pressure is proportional to the angle of the lever according to the diagram shown below:



Dimensions



Examples of different constructions



Valve modules

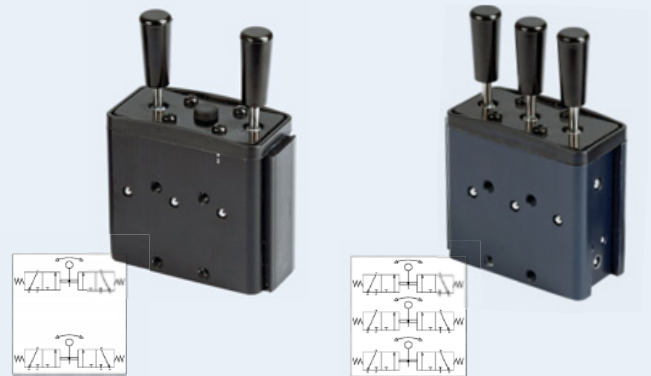
Valve modules with four or six normally closed 3/2-valves. Turning the lever opens one or the other valve depending on the direction to which the lever is turned.

Connections

- Supply pressure and exhaust port G1/8
- Actuator ports M5

Body

- Anodized aluminium



Electric switch modules

Please contact our sales department

Polarteknik Oy

Klaavolantie 1, 32700 Huittinen, Finland

Tel. +358 (0)20 770 9500

Fax +358 (0)20 770 9505

info@polarteknik.fi

www.polarteknik.fi

